

Cassia Counter Stool

Assembly | User Guide

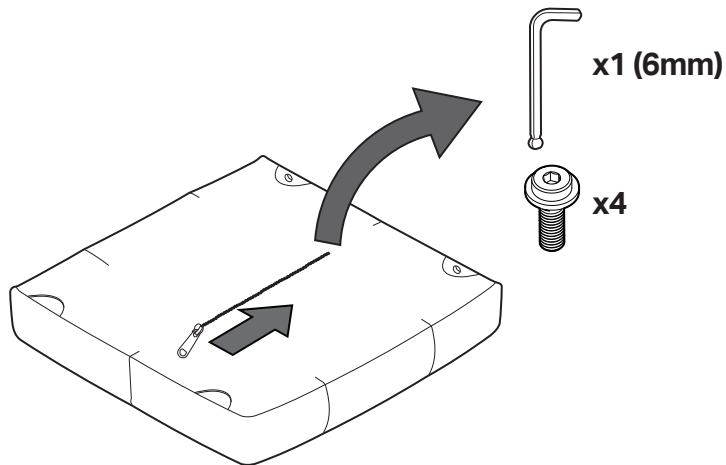
Two people are required for safe assembly

Opening Boxes:

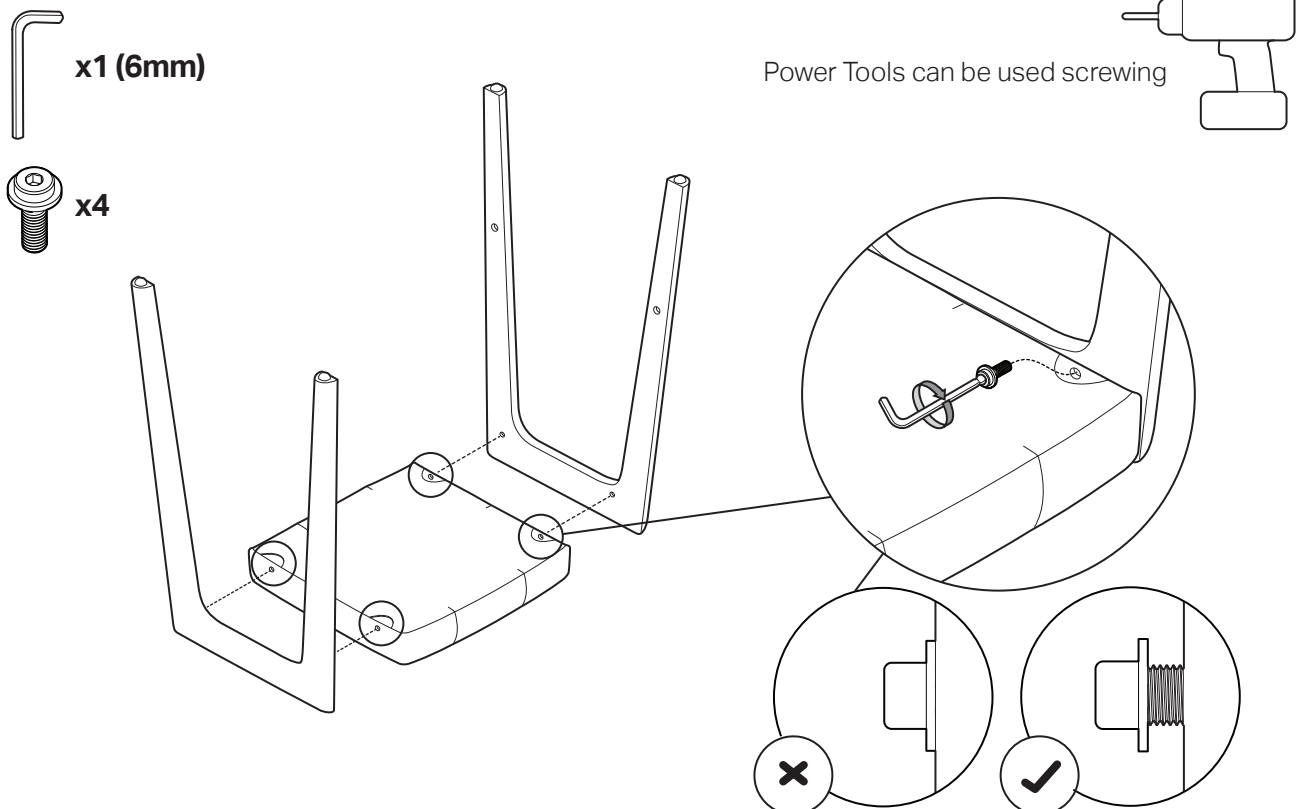
DO NOT use a knife to open the packaging as you may damage your furniture. Peel off the tape, then lift & separate the cardboard flaps to open.

Assemble your furniture by following the instructions below.

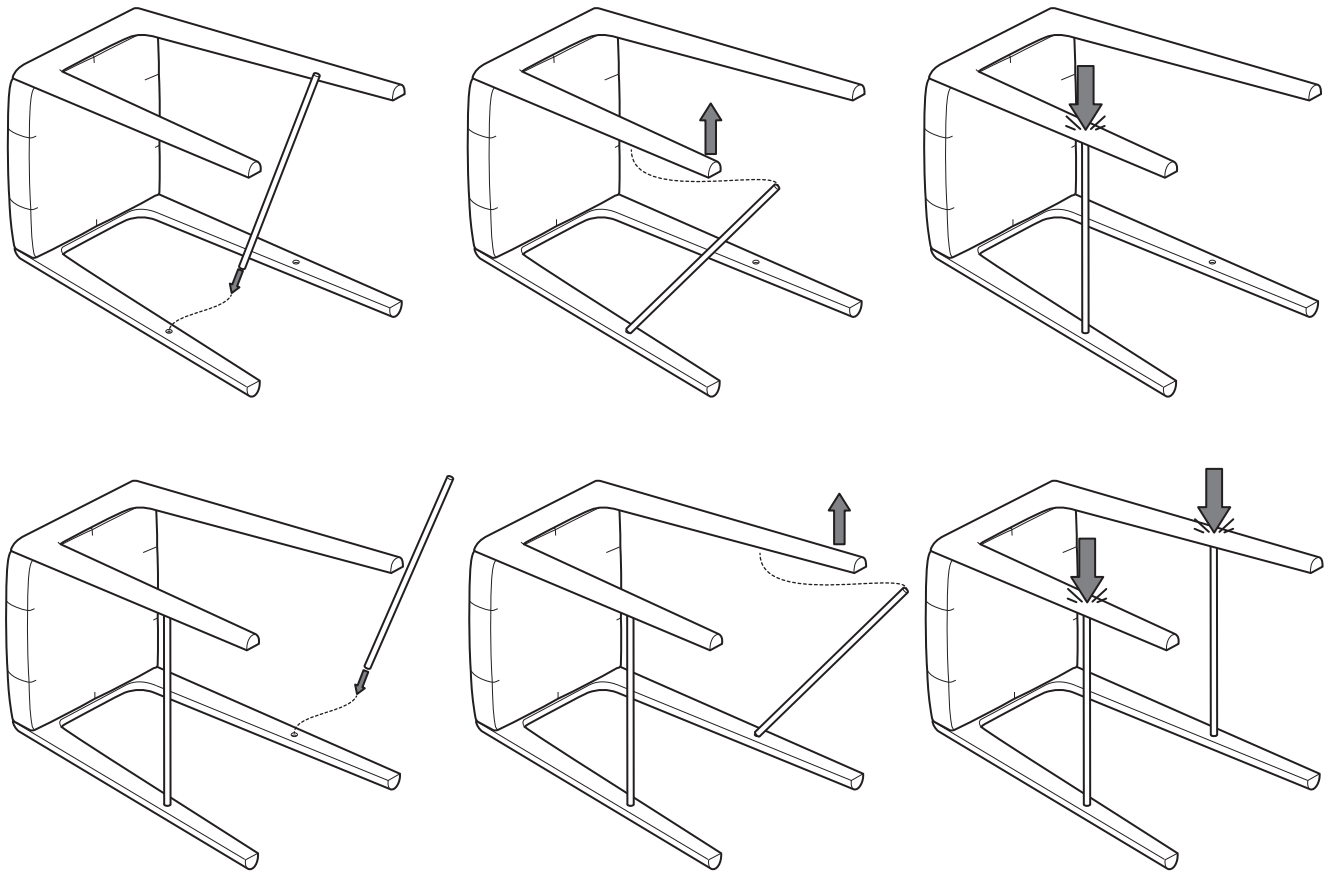
1



2



3

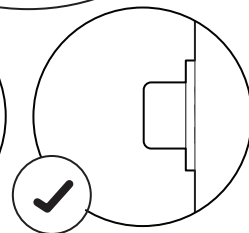
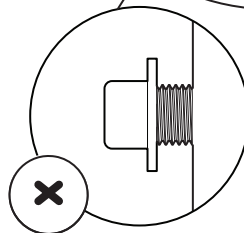
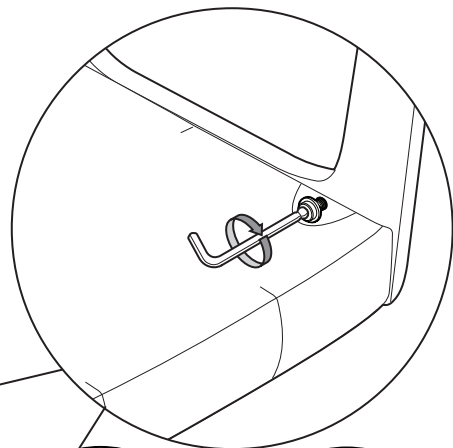
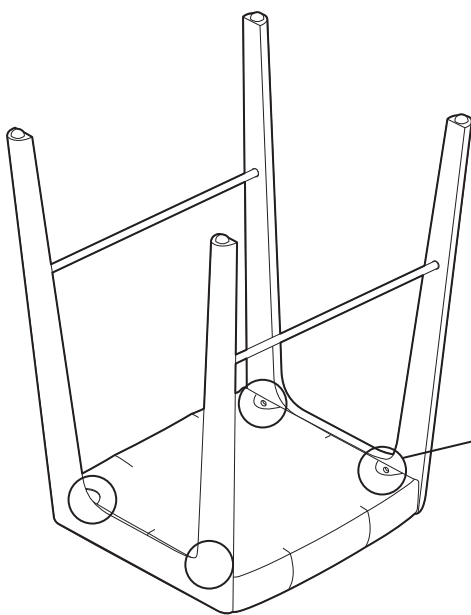
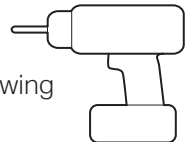


4



x1 (6mm)

Power Tools can be used screwing



5

