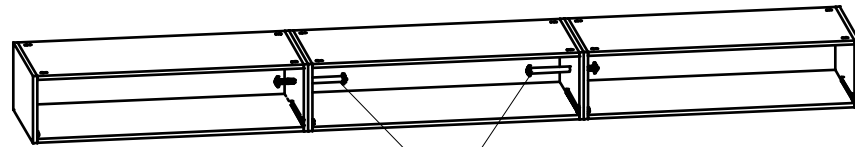
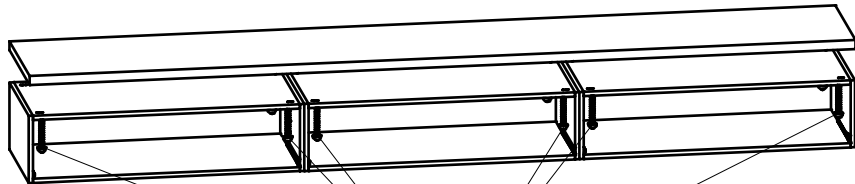


ASSEMBLY INSTRUCTION

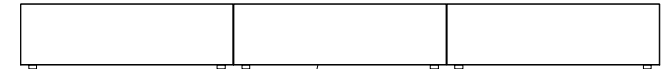
ITEM#: COMP.8*



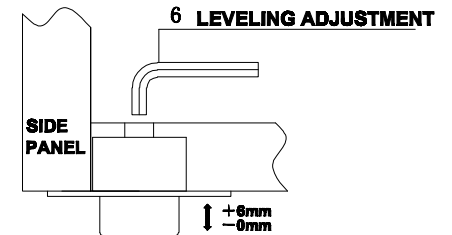
A 1 TO CONNECT BOXES WITH BOLTS



B 7 TO FIX TOP PANEL WITH SCREWS



STANDING MODULE BOX

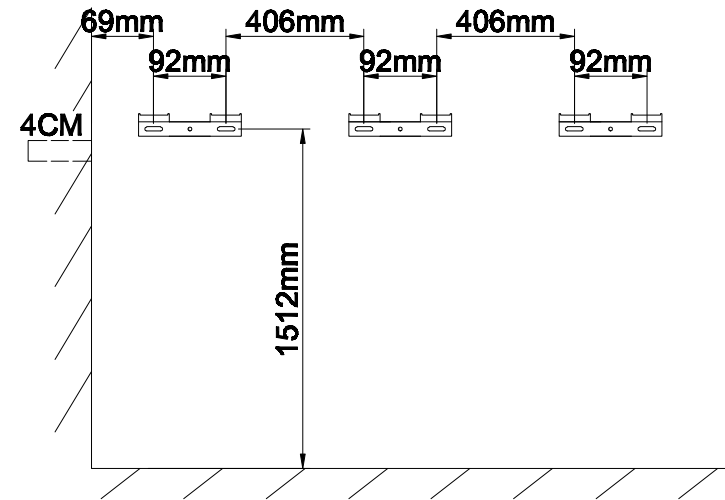


6 LEVELING ADJUSTMENT

SIDE PANEL

ADJUSTABLE LEVELING FOOT

C



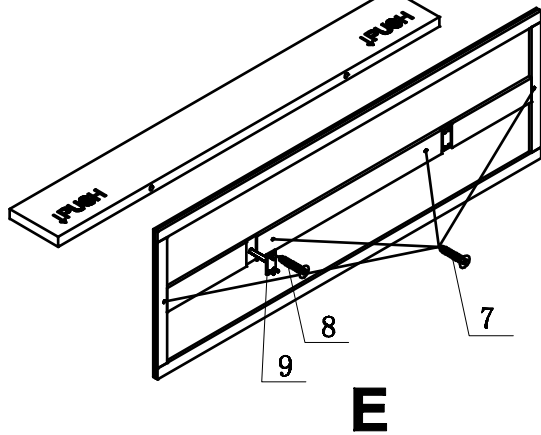
D

Packing List							
1			*6	5		6mm	*16
2			*6	6		4mm	*1
3		130mm	*3	7		4.2*32	*16
				8		4*16	*8
4		4.2*45	*16	9			*2

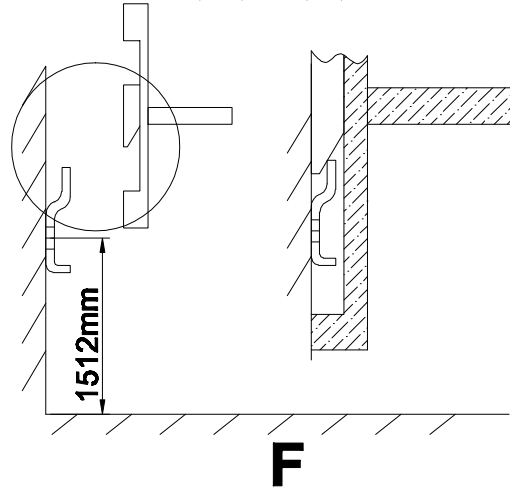
ASSEMBLY INSTRUCTION

ITEM#: COMP.8*

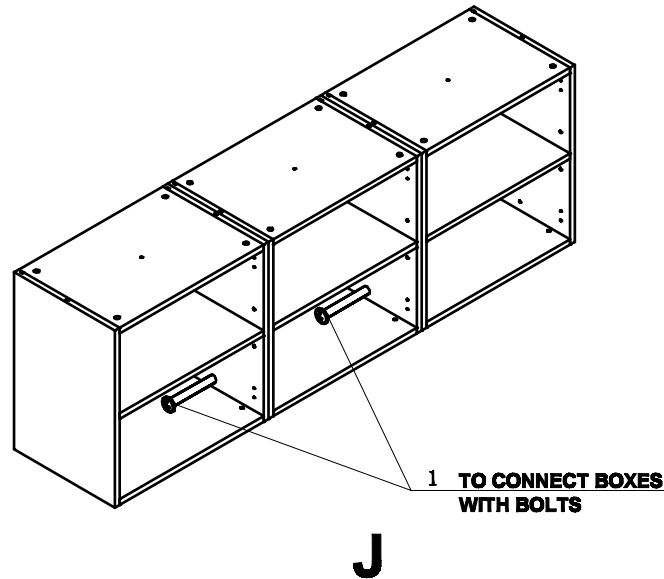
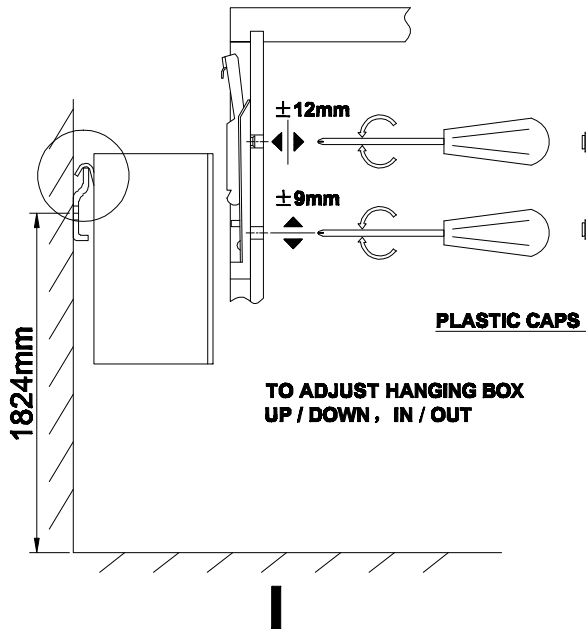
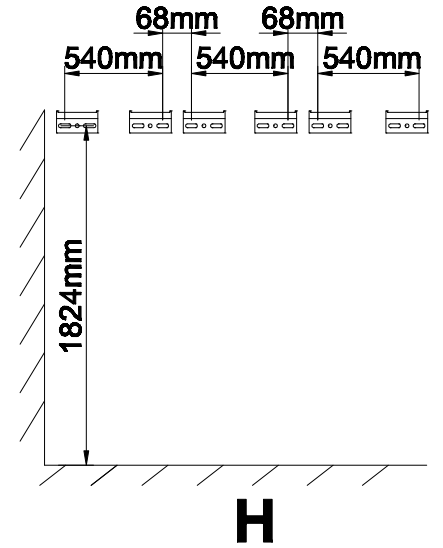
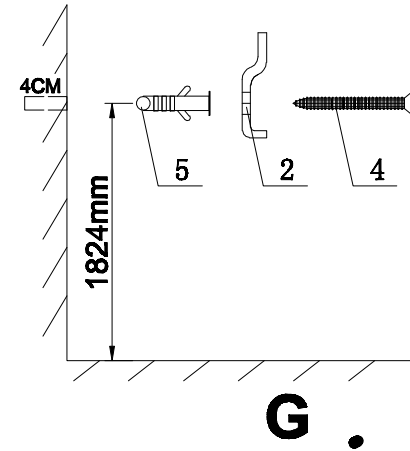
SHELF SHOULD BE FIT ON BACK PANEL WITH "T"BAR / FIXED BY SCREWS



TO FIT BACK PANEL / SHELF ONTO HANGING RAIL



TO FIX RAIL FOR HANGING BOX



K